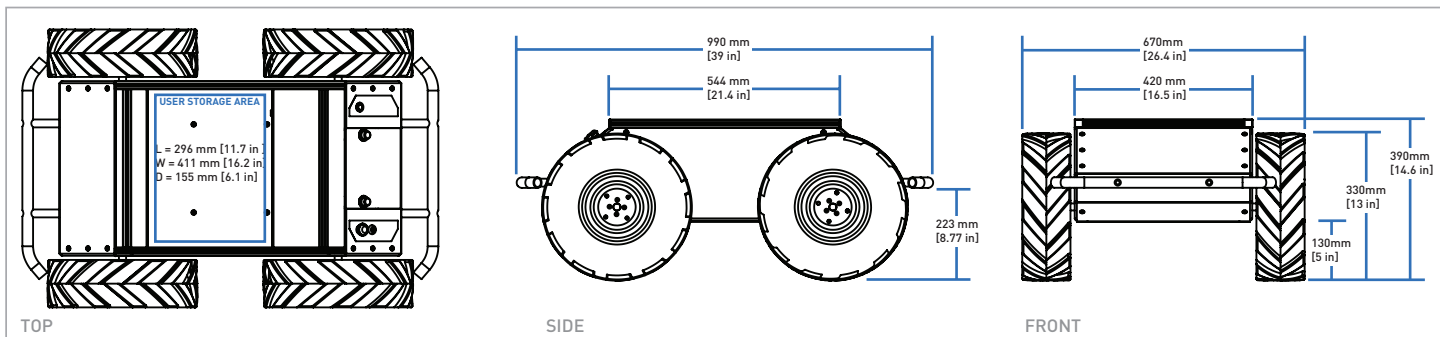


HUSKY™

UNMANNED GROUND VEHICLE



TECHNICAL SPECIFICATIONS

SIZE AND WEIGHT	
EXTERNAL DIMENSIONS [L x W x H]	990 x 670 x 390 mm [39 x 26.4 x 14.6 in]
INTERNAL DIMENSIONS	296 x 411 x 155 mm [11.7 x 16.2 x 6.1 in]
WEIGHT	50 kg (110 lb)
WHEELS	330 mm (13 in) Lug Tread
GROUND CLEARANCE	130 mm (5 in)
SPEED AND PERFORMANCE	
MAX. PAYLOAD	75 Kg (165 lb)
ALL-TERRAIN PAYLOAD	20 Kg (44 lb)
MAX SPEED	1.0 m/s (2.3 mph)
DRIVETRAIN / DRIVE POWER	4x4 Zero-Maintenance
MAX CLIMB GRADE	45° (100% Slope)
MAX TRAVERSAL GRADE	30° (58% Slope)
BATTERY AND POWER SYSTEM	
BATTERY CHEMISTRY	Sealed Lead Acid
CAPACITY	24 V, 20 Ah
RUNTIME - STANDBY	8 Hours
RUNTIME - NOMINAL USAGE	3 Hours
CHARGE TIME	4 Hours
USER POWER	VBAT fused at 5A, 12V fused at 7.5A, 24V fused at 3A. 192W total power available. Upgrade to 480W optional.
INTERFACING AND COMMUNICATION	
CONTROL MODES	Direct voltage, wheel speed, and kinematic velocity.
FEEDBACK	Battery voltage, motor currents, wheel odometry, and control system output.
COMMUNICATION	RS232 @ 115200 baud
ENCODERS	Quadrature: 78,000 pulses/m
DRIVERS AND APIs	ROS, C++, and Python.
ENVIRONMENTAL	
OPERATING AMBIENT TEMPERATURE	-10 to 40 °C (14 to 104 °F) Not in direct sunlight
STORAGE TEMPERATURE	-40 to 60 °C (-40 to 140 °F)
RATING	IP 44 (upgrade to IP 55 available)

Contact us today for pricing and a free 30 minute technical assessment: 1-800-301-3863